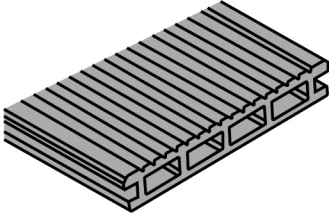
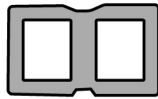
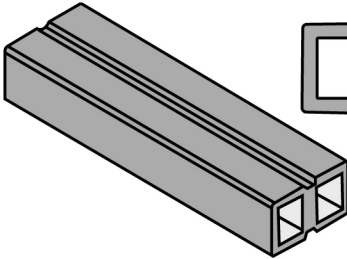


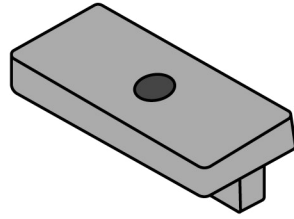
(A)



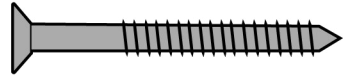
(B)



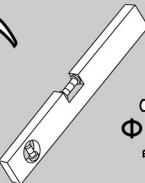
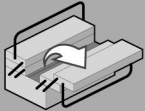
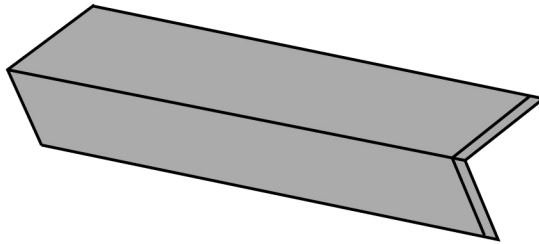
(C)



(D)



Φ 4mm



⊕ Φ6mm

Φ3mm, Φ6mm

Φ6mm

☆ Φ3mm



Observe



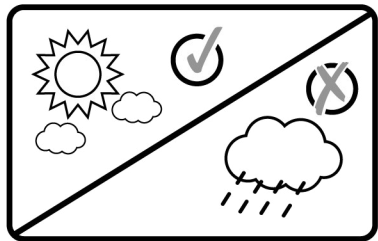
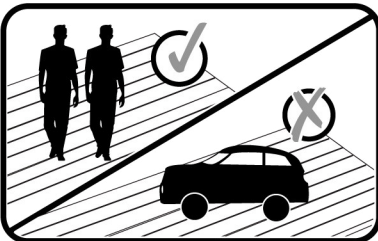
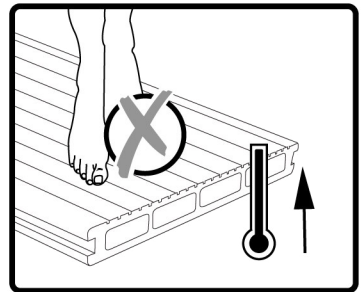
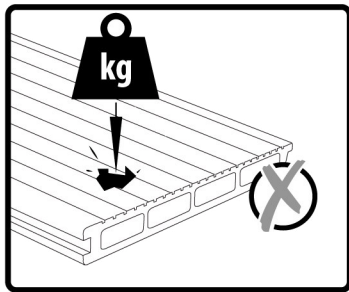
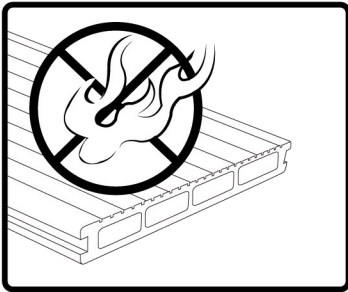
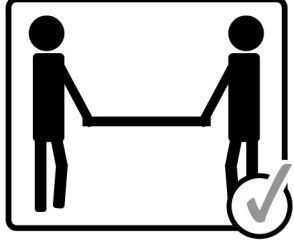
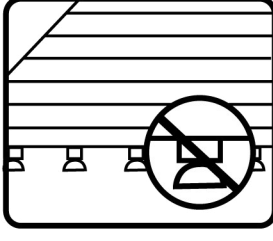
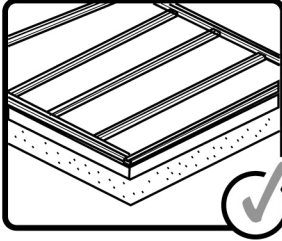
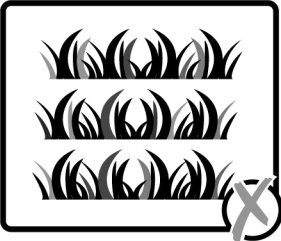
Cleaning



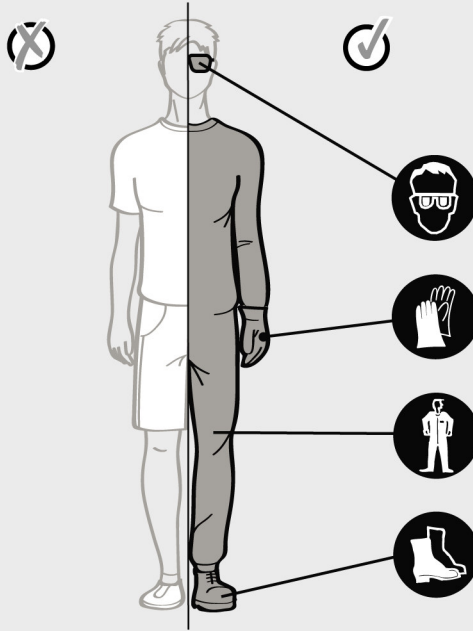
Correct



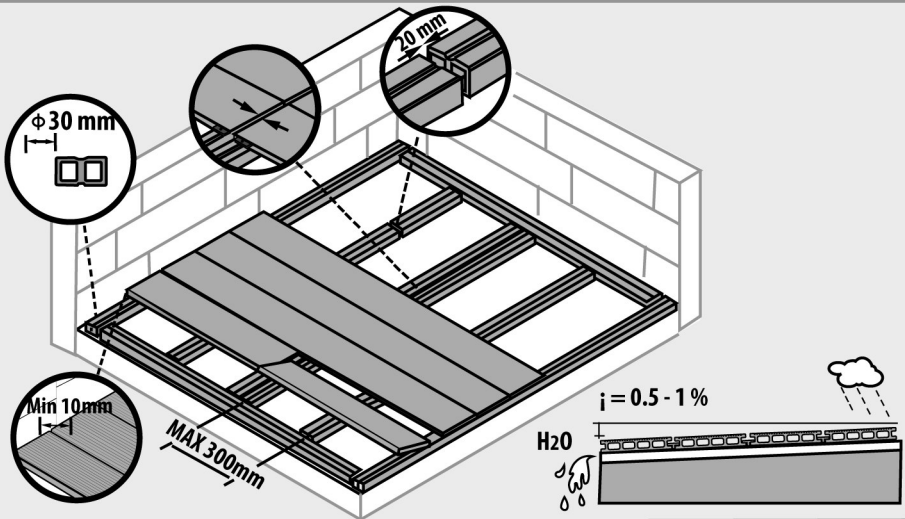
Incorrect



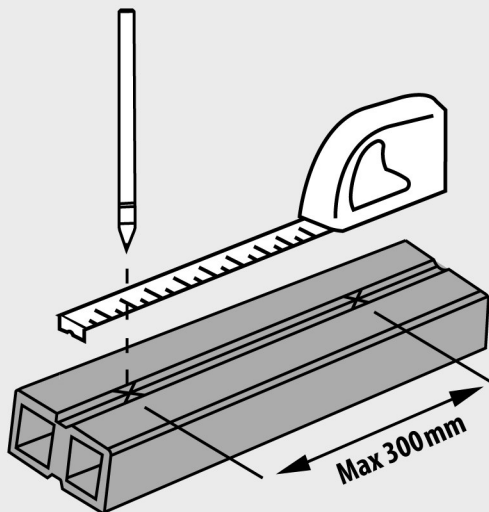
1



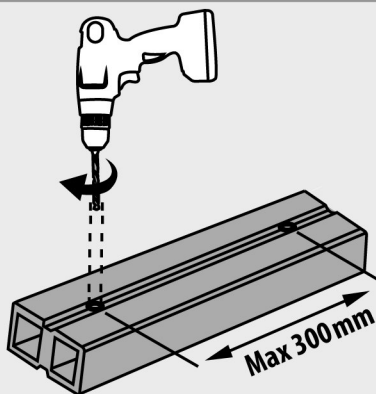
2



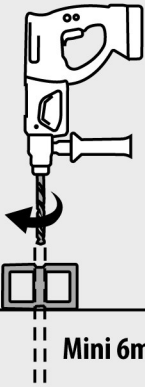
1



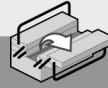
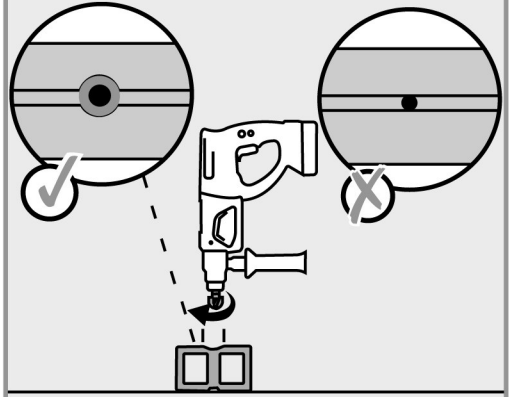
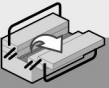
2



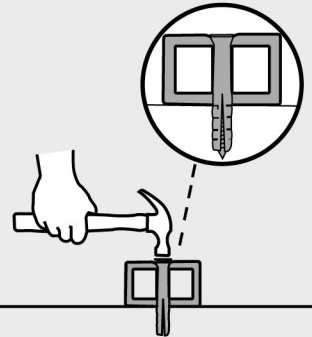
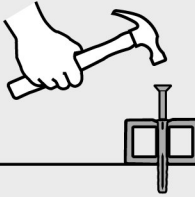
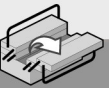
3



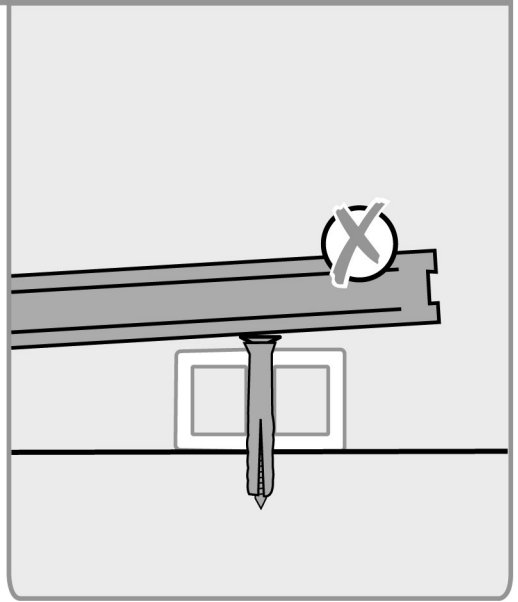
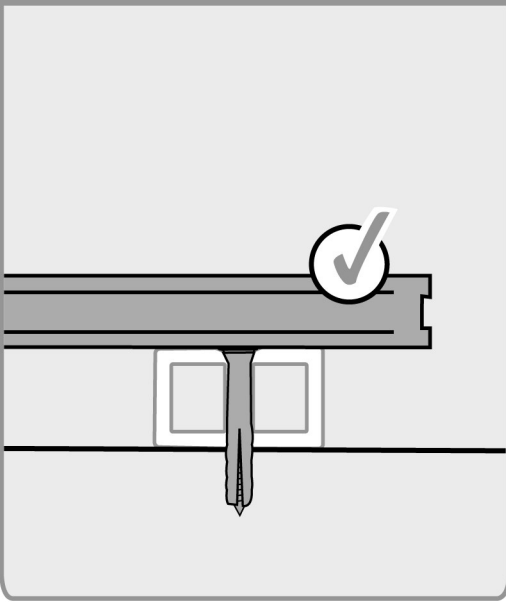
Mini 6mm



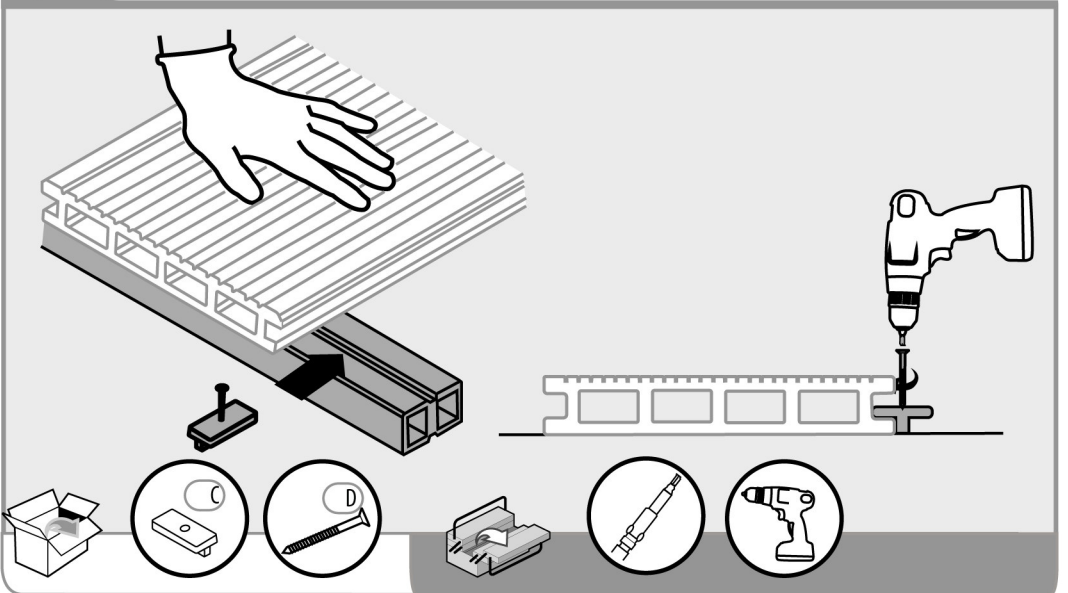
4



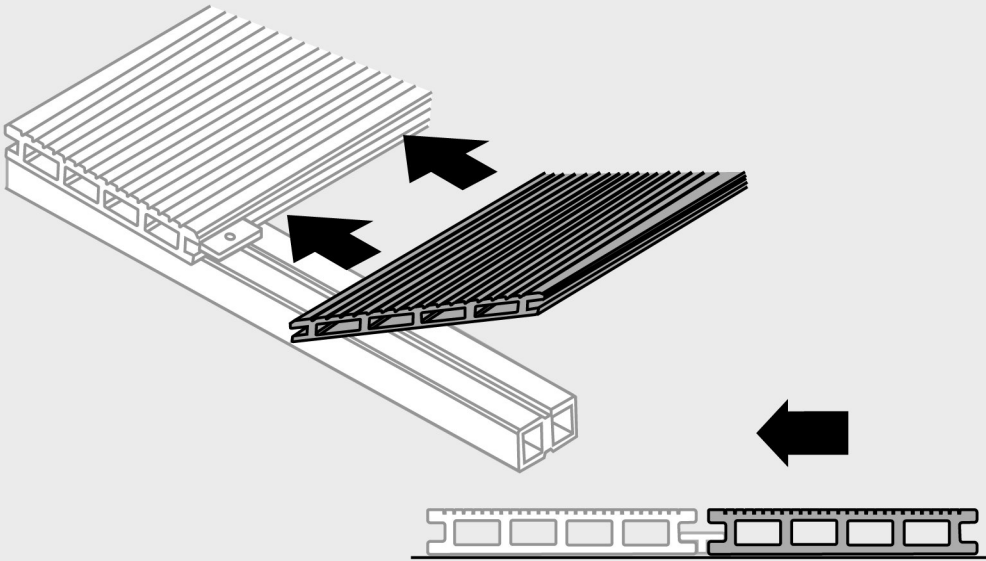
5



6



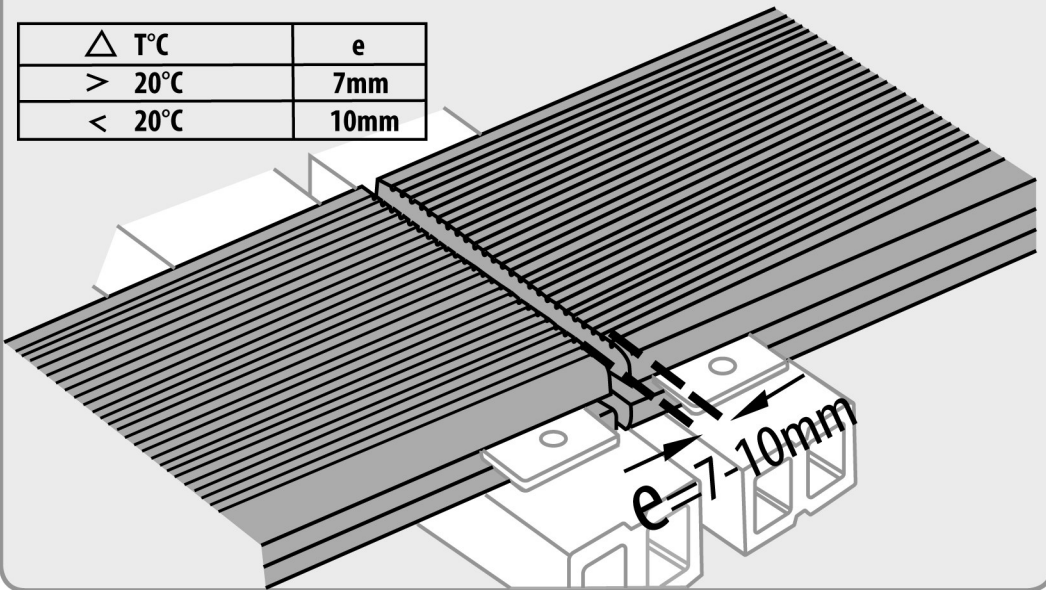
7



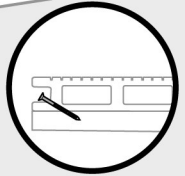
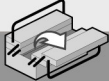
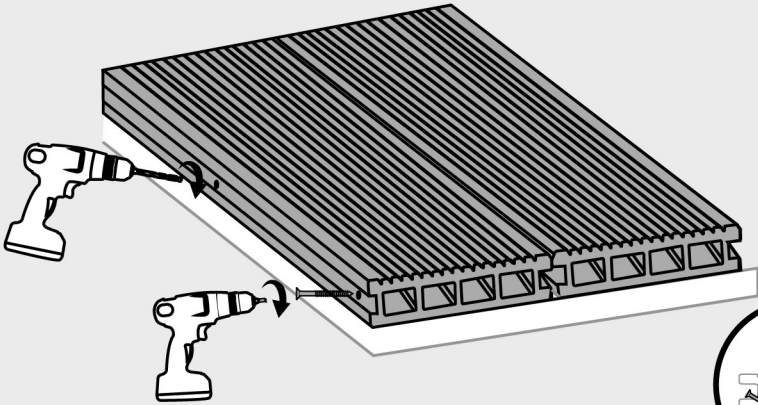
8



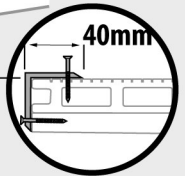
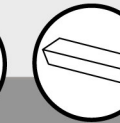
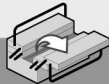
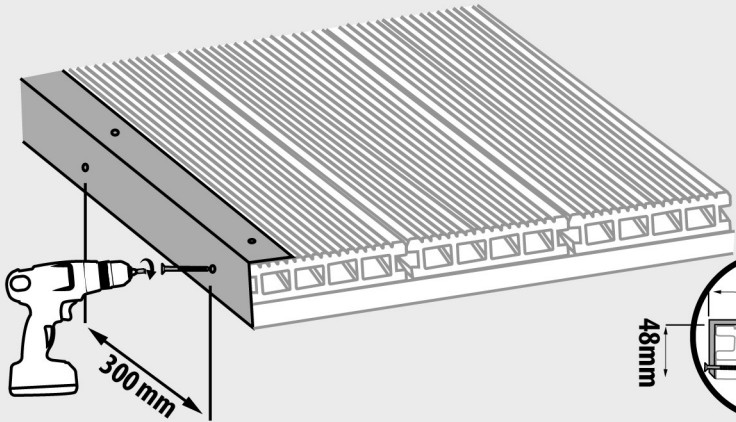
| $\Delta T^{\circ}\text{C}$ | e |
|----------------------------|------|
| $> 20^{\circ}\text{C}$ | 7mm |
| $< 20^{\circ}\text{C}$ | 10mm |



9

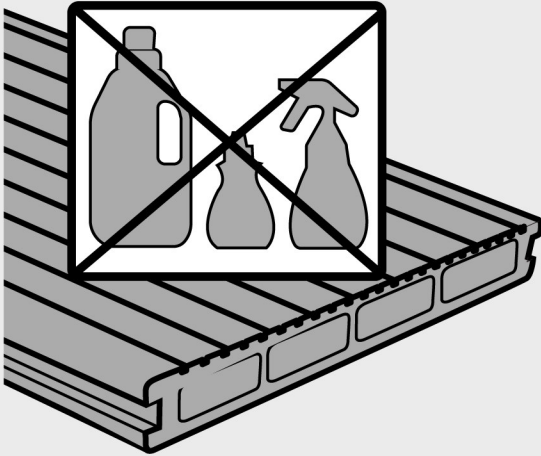


10

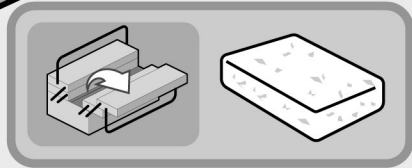
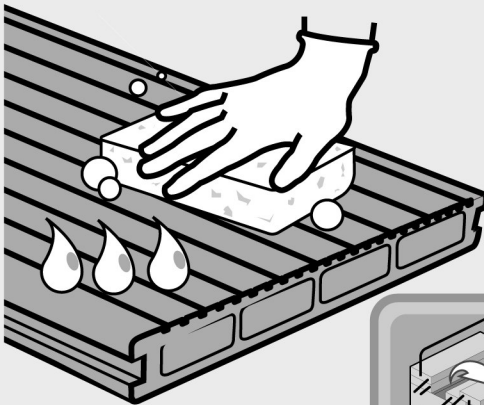




1



2





IMPORTANT, PLEASE READ CAREFULLY AND KEEP FOR FUTURE REFERENCE

1. You may notice a slight variation in colour during the first month of use. This is normal.
2. Profiles must be stored in a dry and ventilated environment, away from direct exposure to sunlight.

Store and transport the profile horizontally

When handling long profiles (>2m) seek the help of a second person

3. Exercise caution when using electrical products and power tools outdoors.

Please strictly follow the manufacturer's safety instructions and never use electrical equipment outdoors when it is raining.

EN